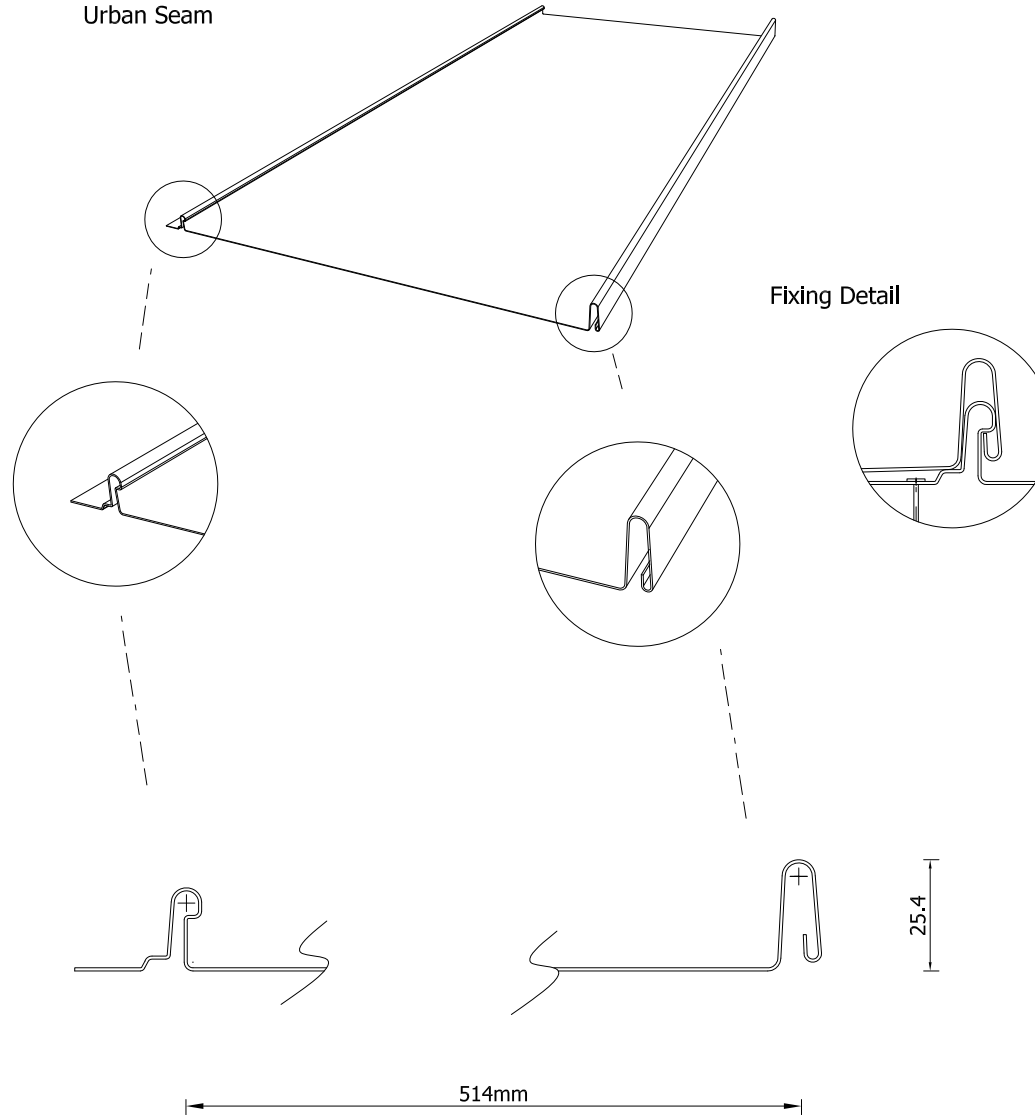


Urban Seam



Fixing Detail

25.4

514mm



This drawing is the exclusive property of Tata Steel must not be copied or otherwise reproduced in anyway whatsoever without the express consent in writing of the Corporation. The Contents of the drawing must be treated as strictly confidential and must not be disclosed to any third party without the express consent in writing of the corporation.

Title

Colorcoat Urban Profile Details

REV

O

Drawn

Approved

AD

GC

Copyright - Tata Steel © 2011

Drawing No.

CU0106

DATE

09.03.09

Dims

Scale

MM

N/A

Colorcoat Urban
Shotton Works
Deeside
CH5 2NH

T: +44(0)1244 892434
www.Colorcoaturban.com