



R1 41 01 06 Technical Directive

Pneumatics directive for suppliers, erection
companies, managers and users
Part 6: Pressure measurement and accessories

Author: G. Elffers

Issue: March 1998

Version 1.1

Intended for the Location IJmuiden

This is an unregistered document.

If this document is changed in the future, the amendments will not be sent to you.

The latest version can be retrieved via Intranet <http://teweb.hoogovens.com>.

Information on

Subject of document

Elffers

tel. +31 (0)251-4 97927

Standardisation

Standardisation office

tel. +31 (0)251-4 97693

Contents:

R1 41 01 06

Pneumatics directive for suppliers, erection
companies, managers and users
Part 6: Pressure measurement and accessories

R1 41 01 06

Pneumatics directive for suppliers, erection
companies, managers and users
Part 6: Pressure measurement and accessories

6.1. PRESSURE SWITCHES.....21

R1 41 01 06

Pneumatics directive for suppliers, erection
companies, managers and users
Part 6: Pressure measurement and accessories

6.1.1. *Adjustable pressure switches*..... 22

R1 41 01 06

Pneumatics directive for suppliers, erection
companies, managers and users
Part 6: Pressure measurement and accessories

6.1.1.art.a. Electrical data.....

39

R1 41 01 06

Pneumatics directive for suppliers, erection
companies, managers and users
Part 6: Pressure measurement and accessories

6.1.2. *Electronic pressure switches* 47

R1 41 01 06

Pneumatics directive for suppliers, erection
companies, managers and users
Part 6: Pressure measurement and accessories

6.1.2.art.a.

Types.....

.....48

R1 41 01 06

Pneumatics directive for suppliers, erection
companies, managers and users
Part 6: Pressure measurement and accessories

R1 41 01 06

**Pneumatics directive for suppliers, erection
companies, managers and users
Part 6: Pressure measurement and accessories**

R1 41 01 06
**Pneumatics directive for suppliers, erection
companies, managers and users**
Part 6: Pressure measurement and accessories

R1 41 01 06

**Pneumatics directive for suppliers, erection
companies, managers and users
Part 6: Pressure measurement and accessories**

6.1.2.art.e.

Relais data.....

87

R1 41 01 06

Pneumatics directive for suppliers, erection
companies, managers and users
Part 6: Pressure measurement and accessories

6.1.2.art.f. Ordering specifications..... 97

R1 41 01 06

**Pneumatics directive for suppliers, erection
companies, managers and users
Part 6: Pressure measurement and accessories**

6.1.3. *Electrical circuit scheme*.....99

R1 41 01 06

Pneumatics directive for suppliers, erection
companies, managers and users
Part 6: Pressure measurement and accessories

6.1.4. *Dimensions* 104

R1 41 01 06

Pneumatics directive for suppliers, erection
companies, managers and users
Part 6: Pressure measurement and accessories

6.2. REFERENCES..... 109

R1 41 01 06
Pneumatics directive for suppliers, erection
companies, managers and users
Part 6: Pressure measurement and accessories

6.3. EXPLANATION..... 113

R1 41 01 06

Pneumatics directive for suppliers, erection
companies, managers and users
Part 6: Pressure measurement and accessories

R1 41 01 06

Pneumatics directive for suppliers, erection
companies, managers and users
Part 6: Pressure measurement and accessories

R1 41 01 06

Pneumatics directive for suppliers, erection
companies, managers and users
Part 6: Pressure measurement and accessories

Blank page

R1 41 01 06

Pneumatics directive for suppliers, erection
companies, managers and users
Part 6: Pressure measurement and accessories

R1 41 01 06

Pneumatics directive for suppliers, erection
companies, managers and users
Part 6: Pressure measurement and accessories

6.1. Pressure switches

R1 41 01 06

Pneumatics directive for suppliers, erection
companies, managers and users
Part 6: Pressure measurement and accessories

6.1.1. Adjustable pressure switches

R1 41 01 06

Pneumatics directive for suppliers, erection
companies, managers and users
Part 6: Pressure measurement and accessories

Manufacture : Herion

R1 41 01 06
Pneumatics directive for suppliers, erection
companies, managers and users
Part 6: Pressure measurement and accessories

General name : Pressure switch

R1 41 01 06

Pneumatics directive for suppliers, erection
companies, managers and users
Part 6: Pressure measurement and accessories

Design

: D 502-7D

R1 41 01 06

Pneumatics directive for suppliers, erection
companies, managers and users
Part 6: Pressure measurement and accessories

Pressure connection : G 1/4"

R1 41 01 06

Pneumatics directive for suppliers, erection
companies, managers and users
Part 6: Pressure measurement and accessories

Mounting

: 4 M4 thread holes in backside of housing

R1 41 01 06

Pneumatics directive for suppliers, erection
companies, managers and users
Part 6: Pressure measurement and accessories

Mass : 900 grams

R1 41 01 06
Pneumatics directive for suppliers, erection
companies, managers and users
Part 6: Pressure measurement and accessories

Mounting position : Preferred vertical with readable inscription.

R1 41 01 06

Pneumatics directive for suppliers, erection
companies, managers and users
Part 6: Pressure measurement and accessories

R1 41 01 06

Pneumatics directive for suppliers, erection
companies, managers and users
Part 6: Pressure measurement and accessories

Pneumatic characteristics, adjustable values in bar

R1 41 01 06

Pneumatics directive for suppliers, erection
companies, managers and users
Part 6: Pressure measurement and accessories

R1 41 01 06

Pneumatics directive for suppliers, erection
companies, managers and users
Part 6: Pressure measurement and accessories

Type	Falling	Rising	Diff.	Max.
		R141 01 06 Pneumatics directive for suppliers, erection companies, managers and users Part 6: Pressure measurement and accessories		

	min.	max.	min.	max.	RT 41 01 06	oper. press.
--	------	------	------	------	-------------	--------------

Pneumatics directive for suppliers, erection companies, managers and users
 Part 6: Pressure measurement and accessories

0811300 + Hirschmann plug GDM 2011

0,1

2,4

0,2

2,5

0,1

10

R1 41 01 06

Pneumatics directive for suppliers, erection
companies, managers and users
Part 6: Pressure measurement and accessories

R1 41 01 06

Pneumatics directive for suppliers, erection
companies, managers and users
Part 6: Pressure measurement and accessories

– Ambient temperature: -40 °C - +50 °C

R1 41 01 06

Pneumatics directive for suppliers, erection
companies, managers and users
Part 6: Pressure measurement and accessories

– Temperature of medium: 0/20 °C.

R1 41 01 06

Pneumatics directive for suppliers, erection
companies, managers and users
Part 6: Pressure measurement and accessories

6.1.1.art.a. Electrical data

R1 41 01 06
Pneumatics directive for suppliers, erection
companies, managers and users
Part 6: Pressure measurement and accessories

Protection class

: I P65

R1 41 01 06

Pneumatics directive for suppliers, erection
companies, managers and users
Part 6: Pressure measurement and accessories

Kind of switch : micro switch

R1 41 01 06
Pneumatics directive for suppliers, erection
companies, managers and users
Part 6: Pressure measurement and accessories

Number

: 1

R1 41 01 06

Pneumatics directive for suppliers, erection
companies, managers and users
Part 6: Pressure measurement and accessories

Contact type

: make and break contact

R1 41 01 06

Pneumatics directive for suppliers, erection
companies, managers and users
Part 6: Pressure measurement and accessories

Contact load

: AC up to 220 V-15 A

R1 41 01 06

Pneumatics directive for suppliers, erection
companies, managers and users
Part 6: Pressure measurement and accessories

DC up to 220 V-0,2A

R1 41 01 06

Pneumatics directive for suppliers, erection
companies, managers and users
Part 6: Pressure measurement and accessories

DC up to 24 V-2A

R1 41 01 06

Pneumatics directive for suppliers, erection
companies, managers and users
Part 6: Pressure measurement and accessories

6.1.2. *Electronic pressure switches*

R1 41 01 06

Pneumatics directive for suppliers, erection
companies, managers and users
Part 6: Pressure measurement and accessories

6.1.2.art.a. Types

R1 41 01 06

Pneumatics directive for suppliers, erection
companies, managers and users
Part 6: Pressure measurement and accessories

Type EDS 1600 is manufacturer Hydac.

R1 41 01 06

Pneumatics directive for suppliers, erection
companies, managers and users
Part 6: Pressure measurement and accessories

Range: 0-10 bar.

R1 41 01 06

Pneumatics directive for suppliers, erection
companies, managers and users
Part 6: Pressure measurement and accessories

R1 41 01 06

Pneumatics directive for suppliers, erection
companies, managers and users
Part 6: Pressure measurement and accessories

For accuracy's see electrical data.

R1 41 01 06

Pneumatics directive for suppliers, erection
companies, managers and users
Part 6: Pressure measurement and accessories

R1 41 01 06

Pneumatics directive for suppliers, erection
companies, managers and users
Part 6: Pressure measurement and accessories

R1 41 01 06

Pneumatics directive for suppliers, erection
companies, managers and users
Part 6: Pressure measurement and accessories

6.1.2.art.b. General data

R1 41 01 06

Pneumatics directive for suppliers, erection
companies, managers and users
Part 6: Pressure measurement and accessories

The device is on a pressure transducer with electronics and a number of relays.

R1 41 01 06

Pneumatics directive for suppliers, erection
companies, managers and users
Part 6: Pressure measurement and accessories

R1 41 01 06

Pneumatics directive for suppliers, erection
companies, managers and users
Part 6: Pressure measurement and accessories

Temperature compensation is included.

R1 41 01 06

Pneumatics directive for suppliers, erection
companies, managers and users
Part 6: Pressure measurement and accessories

R1 41 01 06

Pneumatics directive for suppliers, erection
companies, managers and users
Part 6: Pressure measurement and accessories

Digital display with 3 numbers shows pressure or setpoints of switches.

R1 41 01 06

Pneumatics directive for suppliers, erection
companies, managers and users
Part 6: Pressure measurement and accessories

R1 41 01 06

Pneumatics directive for suppliers, erection
companies, managers and users
Part 6: Pressure measurement and accessories

Hysteresis is adjustable (one adjustment for all switches).

R1 41 01 06

Pneumatics directive for suppliers, erection
companies, managers and users
Part 6: Pressure measurement and accessories

6.1.2.art.c. Pneumatic data

R1 41 01 06

Pneumatics directive for suppliers, erection
companies, managers and users
Part 6: Pressure measurement and accessories

Span

: 0-10 bar

R1 41 01 06

Pneumatics directive for suppliers, erection
companies, managers and users
Part 6: Pressure measurement and accessories

Connecting port

: G 1/4" int.; DIN 3852, form X
R1 41 01 06

Pneumatics directive for suppliers, erection
companies, managers and users
Part 6: Pressure measurement and accessories

Pressure connection

: stainless steel 1.4301
R1 41 01 06

Pneumatics directive for suppliers, erection
companies, managers and users
Part 6: Pressure measurement and accessories

Volume

: 1000 mm³

R1 41 01 06

Pneumatics directive for suppliers, erection
companies, managers and users
Part 6: Pressure measurement and accessories

Mass

: 0,8 kg.

R1 41 01 06

Pneumatics directive for suppliers, erection
companies, managers and users
Part 6: Pressure measurement and accessories

6.1.2.art.d. Electrical data

R1 41 01 06

Pneumatics directive for suppliers, erection
companies, managers and users
Part 6: Pressure measurement and accessories

Supply voltage

: 20-32 VDC

R1 41 01 06

Pneumatics directive for suppliers, erection
companies, managers and users
Part 6: Pressure measurement and accessories

Power consumption

: 220 mA

R1 41 01 06

Pneumatics directive for suppliers, erection
companies, managers and users
Part 6: Pressure measurement and accessories

Linearity

: 0,5% of end pressure (at 25 °C)
R1 41 01 06

Pneumatics directive for suppliers, erection
companies, managers and users
Part 6: Pressure measurement and accessories

Medium temperature compensation

: 20-70 °C

R1 41 01 06

Pneumatics directive for suppliers, erection
companies, managers and users
Part 6: Pressure measurement and accessories

Temperature compensation electronics

: 0-50 °C

R1 41 01 06

Pneumatics directive for suppliers, erection
companies, managers and users
Part 6: Pressure measurement and accessories

Temperature drift in compensated area

: on 0-punt 0,015-0,03%
R1 41 01 06

Pneumatics directive for suppliers, erection
companies, managers and users
Part 6: Pressure measurement and accessories

on accuracy max. 0,05%/K
RI 41 01 06

Pneumatics directive for suppliers, erection
companies, managers and users
Part 6: Pressure measurement and accessories

Load margin

: 100%

R1 41 01 06

Pneumatics directive for suppliers, erection
companies, managers and users
Part 6: Pressure measurement and accessories

Hysteresis

: 0,5-20% of max. adjustment for all
RI 41 01 06

Pneumatics directive for suppliers, erection
companies, managers and users
Part 6: Pressure measurement and accessories

relais

R1 41 01 06

Pneumatics directive for suppliers, erection
companies, managers and users
Part 6: Pressure measurement and accessories

Analogue output

: 4-20 mA

R1 41 01 06

Pneumatics directive for suppliers, erection
companies, managers and users
Part 6: Pressure measurement and accessories

Electrical connection

: 14-pole terminal strip

R1 41 01 06

Pneumatics directive for suppliers, erection
companies, managers and users
Part 6: Pressure measurement and accessories

Cord connection

: 2 x PG11

R1 41 01 06

Pneumatics directive for suppliers, erection
companies, managers and users
Part 6: Pressure measurement and accessories

Conductors

: 1,5 mm²

R1 41 01 06

Pneumatics directive for suppliers, erection
companies, managers and users
Part 6: Pressure measurement and accessories

Protection class

: IP 65

R1 41 01 06

Pneumatics directive for suppliers, erection
companies, managers and users
Part 6: Pressure measurement and accessories

R1 41 01 06

Pneumatics directive for suppliers, erection
companies, managers and users
Part 6: Pressure measurement and accessories

R1 41 01 06

Pneumatics directive for suppliers, erection
companies, managers and users
Part 6: Pressure measurement and accessories

6.1.2.art.e. Relais data

R1 41 01 06

Pneumatics directive for suppliers, erection
companies, managers and users
Part 6: Pressure measurement and accessories

Number

: 4 (relais 1+2 and 3+4 with common
R1 41 01 06

Pneumatics directive for suppliers, erection
companies, managers and users
Part 6: Pressure measurement and accessories

make and break contact)
R1 41 01 06

Pneumatics directive for suppliers, erection
companies, managers and users
Part 6: Pressure measurement and accessories

Contact

: make and break contact
R1 41 01 06

Pneumatics directive for suppliers, erection
companies, managers and users
Part 6: Pressure measurement and accessories

Voltage

: max. 250 VAC

R1 41 01 06

Pneumatics directive for suppliers, erection
companies, managers and users
Part 6: Pressure measurement and accessories

Current

: 2A

R1 41 01 06

Pneumatics directive for suppliers, erection
companies, managers and users
Part 6: Pressure measurement and accessories

Power

: 400 VA, 50 W

R1 41 01 06

Pneumatics directive for suppliers, erection
companies, managers and users
Part 6: Pressure measurement and accessories

Resistance

: < 50 mOhm

R1 41 01 06

Pneumatics directive for suppliers, erection
companies, managers and users
Part 6: Pressure measurement and accessories

Switch time

: ca. 6 ms

R1 41 01 06

Pneumatics directive for suppliers, erection
companies, managers and users
Part 6: Pressure measurement and accessories

Mechanical life time

: 5.10 7 shifts

R1 41 01 06

Pneumatics directive for suppliers, erection
companies, managers and users
Part 6: Pressure measurement and accessories

6.1.2.art.f. Ordering specifications

R1 41 01 06

Pneumatics directive for suppliers, erection
companies, managers and users
Part 6: Pressure measurement and accessories

EDS 1691-P-C-010-000.

R1 41 01 06

Pneumatics directive for suppliers, erection
companies, managers and users
Part 6: Pressure measurement and accessories

6.1.3. *Electrical circuit scheme*

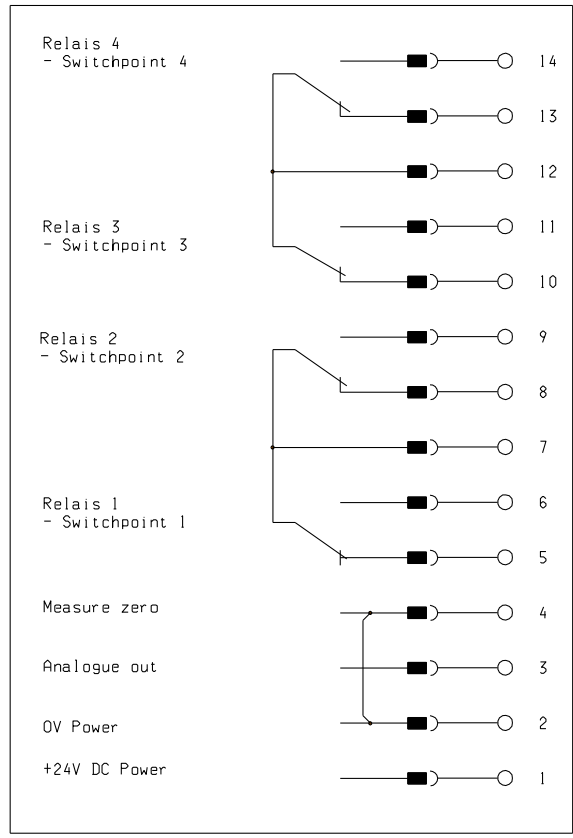
R1 41 01 06
Pneumatics directive for suppliers, erection
companies, managers and users
Part 6: Pressure measurement and accessories

Figure 6.1

R1 41 01 06

Pneumatics directive for suppliers, erection
companies, managers and users
Part 6: Pressure measurement and accessories

Steckblockklemme



liers, erection
id users
nd accessories



R1 41 01 06

Pneumatics directive for suppliers, erection
companies, managers and users
Part 6: Pressure measurement and accessories

R1 41 01 06

Pneumatics directive for suppliers, erection
companies, managers and users
Part 6: Pressure measurement and accessories

6.1.4. Dimensions

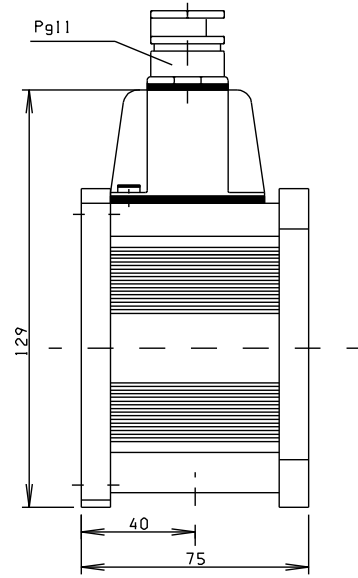
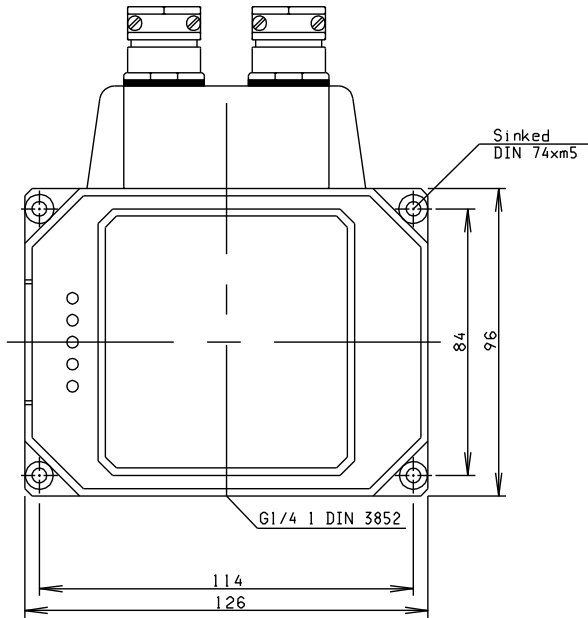
R1 41 01 06

Pneumatics directive for suppliers, erection
companies, managers and users
Part 6: Pressure measurement and accessories

Figure 6.2

R1 41 01 06

Pneumatics directive for suppliers, erection
companies, managers and users
Part 6: Pressure measurement and accessories



n
ies

R1 41 01 06

Pneumatics directive for suppliers, erection
companies, managers and users
Part 6: Pressure measurement and accessories

R1 41 01 06

Pneumatics directive for suppliers, erection
companies, managers and users
Part 6: Pressure measurement and accessories

6.2. References

R1 41 01 06

Pneumatics directive for suppliers, erection
companies, managers and users
Part 6: Pressure measurement and accessories

In this Technical Directive reference is made to DIN 3852, Form X.
R1 41 01 06

Pneumatics directive for suppliers, erection
companies, managers and users
Part 6: Pressure measurement and accessories

R1 41 01 06

Pneumatics directive for suppliers, erection
companies, managers and users
Part 6: Pressure measurement and accessories

R1 41 01 06

Pneumatics directive for suppliers, erection
companies, managers and users
Part 6: Pressure measurement and accessories

6.3. Explanation

R1 41 01 06

Pneumatics directive for suppliers, erection
companies, managers and users
Part 6: Pressure measurement and accessories

Version 1.0:

R1 41 01 06

Pneumatics directive for suppliers, erection
companies, managers and users
Part 6: Pressure measurement and accessories

none.

R1 41 01 06
Pneumatics directive for suppliers, erection
companies, managers and users
Part 6: Pressure measurement and accessories

R1 41 01 06

Pneumatics directive for suppliers, erection
companies, managers and users
Part 6: Pressure measurement and accessories

Version 1.1:

R1 41 01 06

Pneumatics directive for suppliers, erection
companies, managers and users
Part 6: Pressure measurement and accessories

logo has changed.

R1 41 01 06
Pneumatics directive for suppliers, erection
companies, managers and users
Part 6: Pressure measurement and accessories