

Urban Clamp

The urban clamp has been specially designed for Colorcoat Urban® seam profile. When attaching the clamps they are designed to engage with the seam as shown. For horizontal seam applications, the set screw must be accessible from the top for tightening.

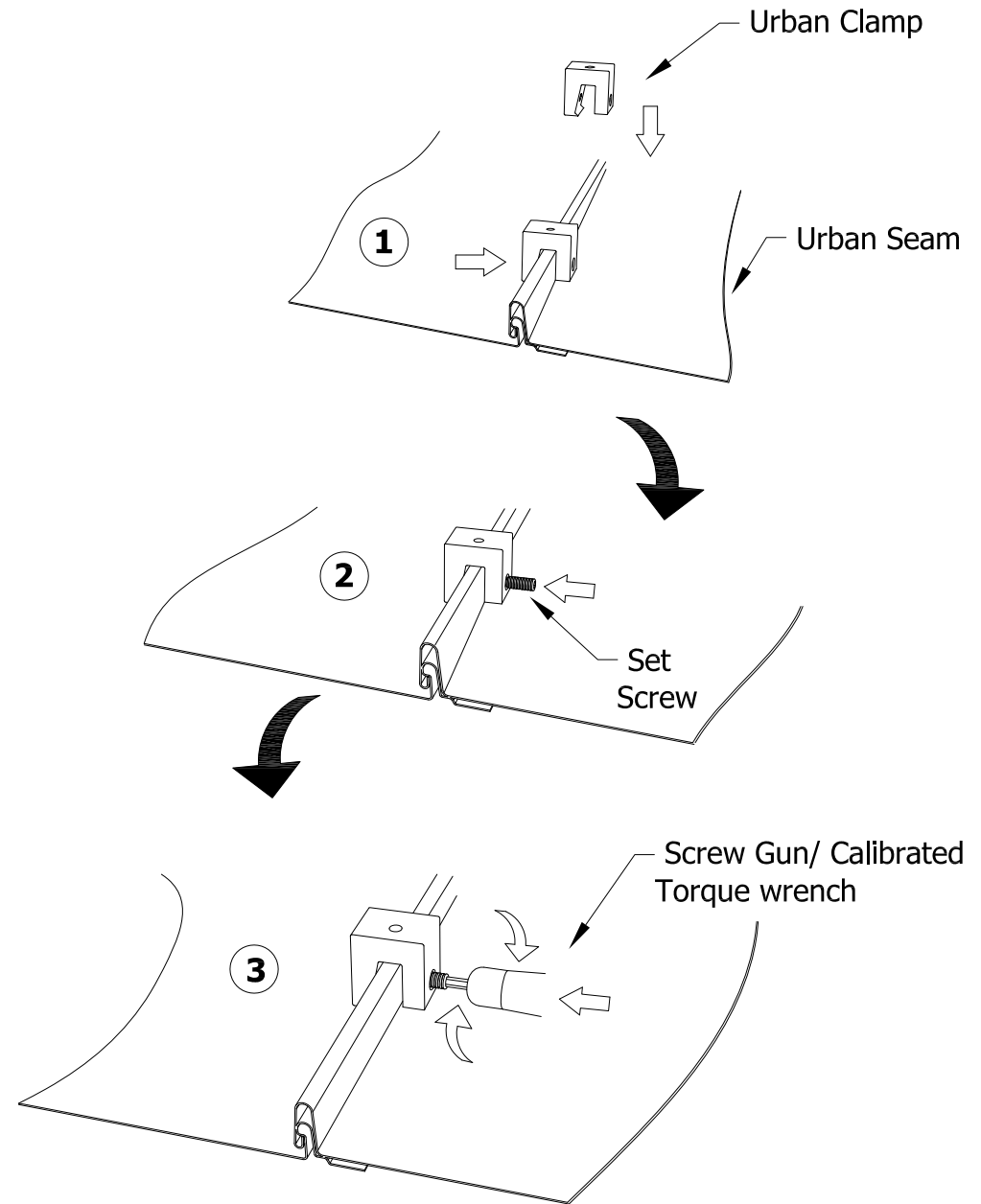
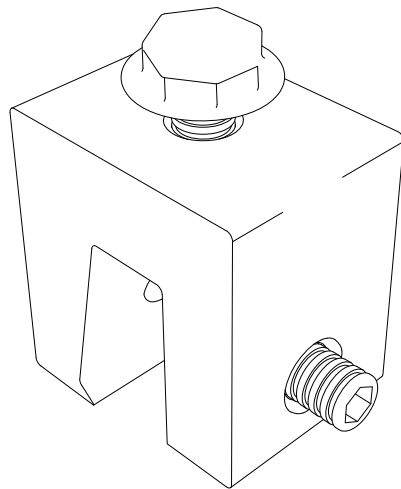
The setscrews are opposite the open (or overlap) side of the seam. Only one orientation is possible with the Urban clamp for it to engage with the seam correctly.

For the maximum holding strength, setscrews should be tensioned and re-tensioned as the seam material compresses.

Please use the Urban clamp responsibly! Please see the load test results below based on pulling load normal to seam. The user and/or installer of the Urban Clamp are responsible for all necessary engineering and design for the intended use of the Urban Clamp in any assembly or application.

Please note one M8 bolt and one set screw is supplied with every Urban Clamp.

Profile	Screw Tension (Nm)	Allowable (KNs)	Ultimate (KNs)
Urban Seam®	13	1.5	4.51



This drawing is the exclusive property of Tata Steel must not be copied or otherwise reproduced in anyway whatsoever without the express consent in writing of the corporation. The contents of the drawing must be treated as strictly confidential and must not be disclosed to any third party without the express consent in writing of the corporation.

Title

Urban Clamp Assembly

Drawing No.

ASU022 02

Scale : N/A

Copyright - Tata Steel © 2012

Rev: 0

Colorcoat Urban
Shotton Works
Deeside
CH5 2NH

Tel: +44 (0)1244 89 2449
Fax: +44 (0)1244 89 2442
www.colorcoaturban.com