

# LOAD RESTRAINT GUIDELINE

## Slit coil bore vertical - TSD UK & I

### 1. This guideline applies to:

- Slit coil bore vertical loaded on timbers or on pallets.
- Product finish: pickled and oiled, galvanised, cold rolled, hot rolled and aluminised.
- Packaging: Bare coils, VCI wrapped, shrink wrapped.



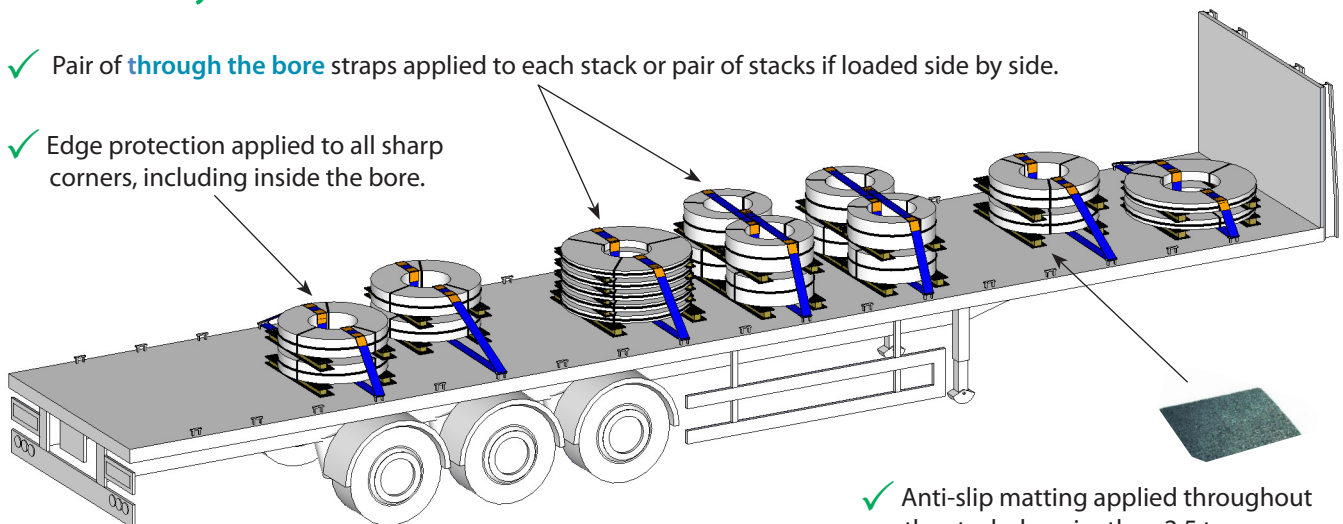
Note: The coefficient of friction of anti-slip matting is  $\mu=0.6$

### 2. Essential requirements

- All restraints must be webbing straps compliant with EN 12195-2, minimum lashing capacity of 2000 daN.
- Edge protection must be used on all sharp edges.
- Load must not exceed the width of the trailer, if necessary coils can be staggered down the trailer length.
- Each slit coil must be securely banded to prevent unwinding.
- Weight limits for single stack is 6 tonnes (2.5 tonnes if anti-slip matting is not used).
- Combined weight limit for 2 stacks loaded side by side is 5 tonnes (2.5 tonnes if anti-slip matting is not used).
- Height limit of a stack is 900 mm.
- Anti-slip matting must be used throughout the stacks heavier than 2.5 tonnes.

### 3. Restraint system overview

- ✓ Pair of **through the bore** straps applied to each stack or pair of stacks if loaded side by side.
- ✓ Edge protection applied to all sharp corners, including inside the bore.



- ✓ Anti-slip matting applied throughout the stacks heavier than 2.5 tonnes.

This Load Restraint Guideline has been designed and tested to meet the forces for road and sea transport as stated in EN 12195-1:2010 and VDI 2700.

# LOAD RESTRAINT GUIDELINE

## Slit coil bore vertical

### 3.1 Coil position and weight limits

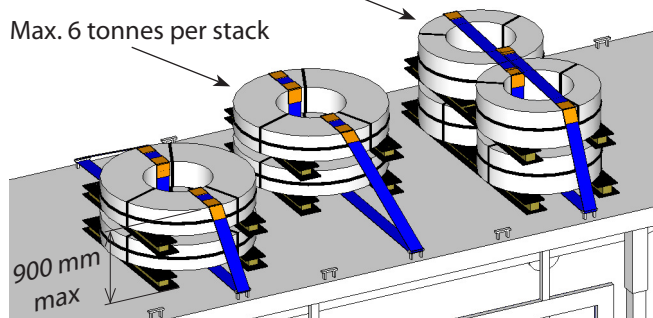
- ✓ Coils centres aligned with lashing points.
- ✓ Coils staggered or loaded in line.
- ✓ Coils can be stacked in single row or side by side.



**Note:**  
If anti-slip matting is not applied maximum weight for single stack (or combined weight of 2 stacks if loaded side by side) must be reduced to 2.5 tonnes.

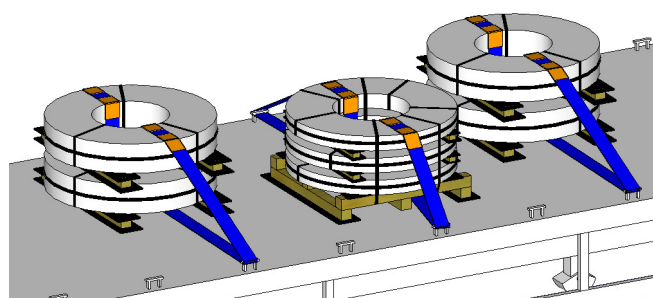
Max. 5 tonnes **total** for stacks loaded side by side

Max. 6 tonnes per stack



### 3.2 Anti-slip matting

- ✓ Anti slip-matting positioned on both sides of base timbers.
- ✓ Anti slip-matting positioned between pallets and trailer deck.
- ✓ Anti slip-matting applied throughout the stack.

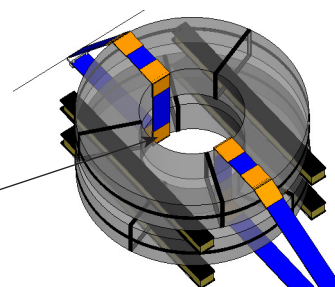


### 3.3 Edge protection

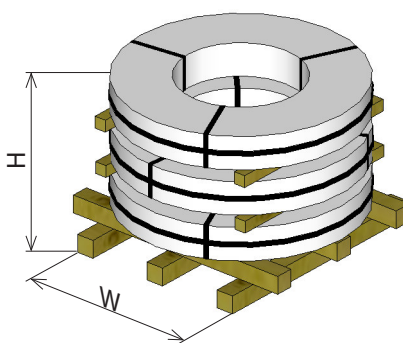
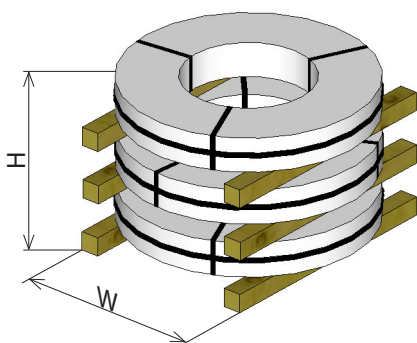
- ✓ Edge protection applied to all sharp corners, including inside the bore.



**Note:**  
Ensure edge protection is applied to all sharp corners including inside the bore.



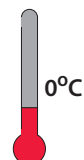
## 4. Stack dimensions requirements



- ✓ Total height (H) must be less than 900 mm.
- ✓ Total height (H) must be less than timber span (W).

## 5. Winter weather UK and export loads

During severe winter weather advisory periods when the air temperature is below 0°C and there is a risk of frost, ice or snow maximum weight of stack (or pair of stacks loaded side by side) must be reduced to 4 tonnes.



Care has been taken to ensure that the contents of this publication are accurate, but Tata Steel Europe Limited and its subsidiaries do not accept responsibility or liability for errors or information that is found to be misleading.