

## TECHNICAL ADVICE DOCUMENT

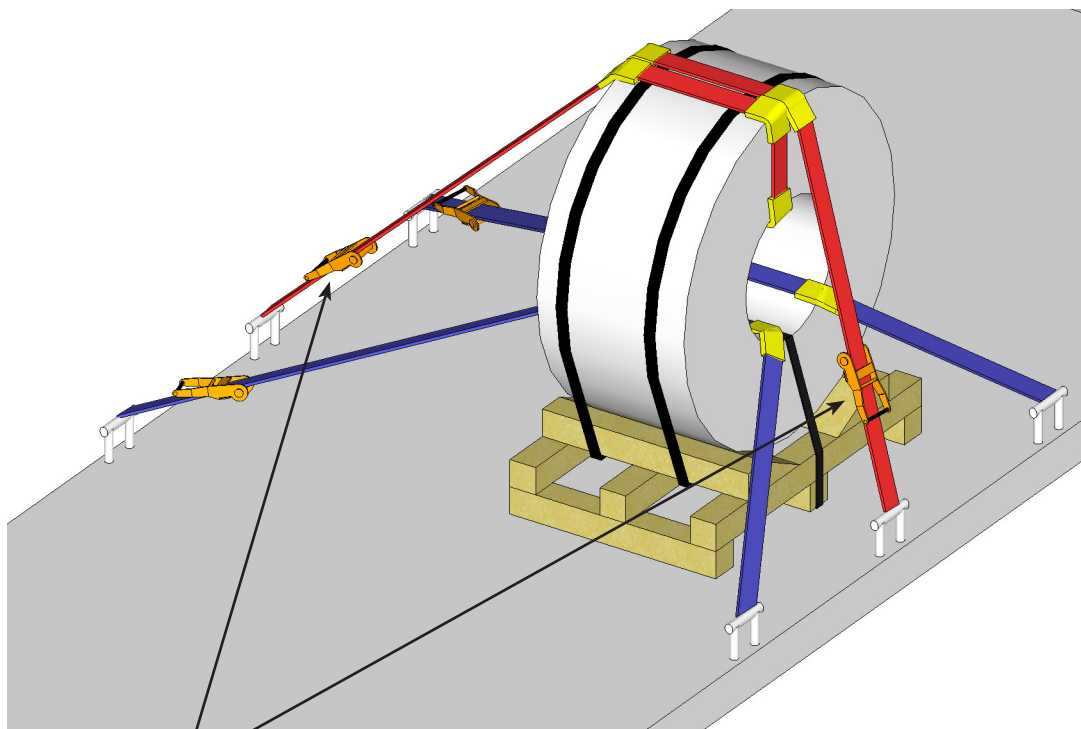
### Narrow coils in wooden cradles

#### 1. This Technical Advice Document applies to:

- Narrow coils (i.e. less than 500 mm sheet width) pre-loaded in wooden cradles.
- Maximum coil weight 5 tonnes.

#### 2. Restraint system for single coils

- ✓ Banded to cradle pallet - including a band through the bore and around the pallet.
- ✓ **2 bore straps + 1 belly-wrapped strap** around top of coil **with a ratchet on each side.**
- ✓ Edge protection fitted on all corners.



Ratchet in both legs of the **belly-wrap strap** to ensure both sides tension up sufficiently.

# TECHNICAL ADVICE DOCUMENT

## Narrow coils in wooden cradles

### 3. Restraint systems for coils side-by-side

**NOTE: Combined weight of the coils in a single row must not exceed 8 tonnes.**

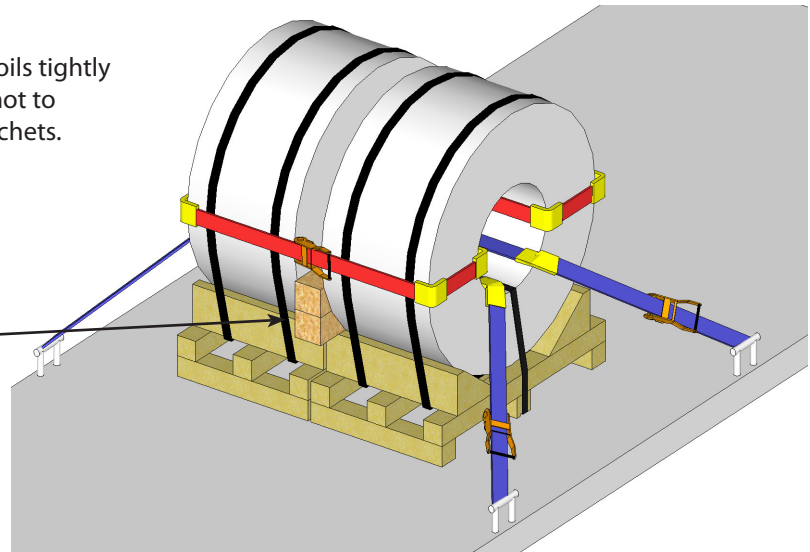
#### Example 1: Restraint systems for separate coils loaded side-by-side

- ✓ Individual coils banded to cradle pallets.
- ✓ 2 coils loaded side-by-side with either:
  - the coil faces touching, or
  - the gap between the coil faces tightly blocked with timbers (as shown below).
- ✓ **2 straps** through the bores - binding the 2 coils tightly together to stop them toppling. Take care not to damage the surface of the coils with the ratchets.
- ✓ **2 restraint straps through the bores.**
- ✓ Edge protection fitted on all corners.



Coil faces must be touching or blocked with timbers.

*DO NOT just pack the gap between the pallets and leave an air gap between the coil faces.*



#### Example 2: Restraint systems for coils packaged in pairs and loaded side-by-side

- ✓ Coils banded in pairs on one cradle pallet with timbers between the coil faces, and longitudinal bands holding the pairs together.
- ✓ 2 pairs of coils loaded side-by-side on the trailer with either:
  - the coil faces touching, or
  - the gap between the coil faces tightly blocked with timbers ('T' timbers used in this example).
- ✓ **1 strap** through the bores - binding the 2 pairs of coils tightly together to stop them toppling.
- ✓ **2 restraint straps through the bores.**
- ✓ Edge protection fitted on all corners.

