

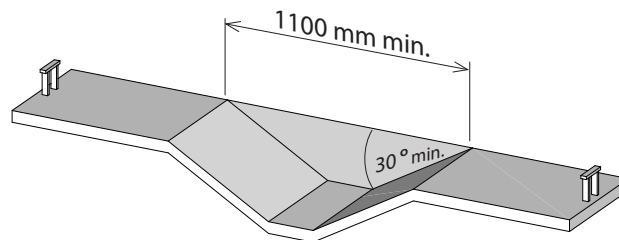
TECHNICAL ADVICE DOCUMENT

Narrow Coil in well

350 mm minimum sheet width
1350 mm maximum diameter

Essential requirements

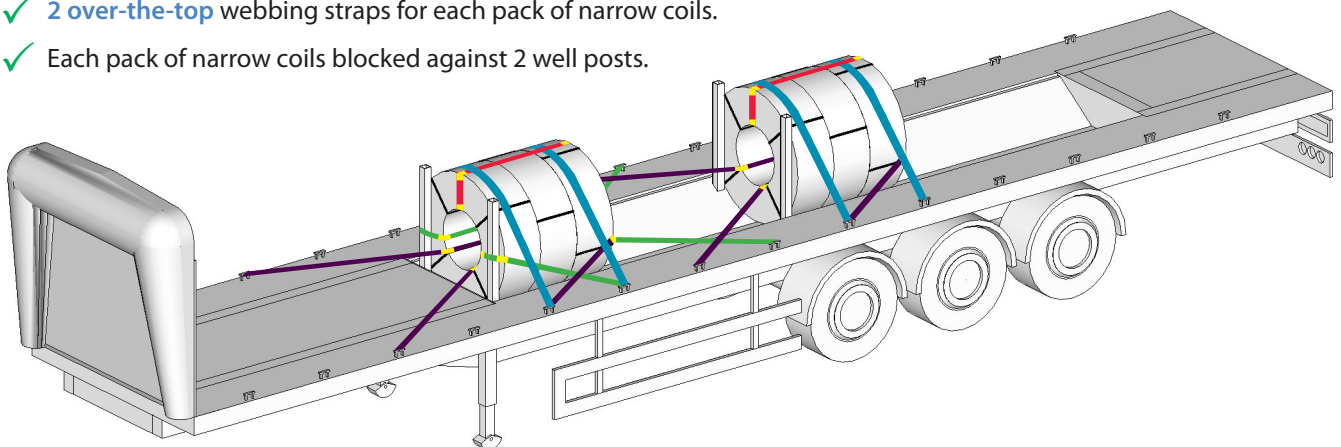
- All webbing straps must have a minimum LC of 2000daN, and must be compliant with EN 12195-2.
- Well width must be a minimum of 1100mm, with a well angle of minimum 30°



- Edge protection must be applied to webbing straps in contact with all sharp edges and the trailer chassis.
- Front coil blocked in the forward direction against 2 off well posts with a minimum section size of 80 x 80mm
- Posts must be in good condition.
- All coils are to be loaded tight against posts and each other (with packers if required) ensuring there are no uncontrolled gaps.
- Straps to be fitted as shown.
- Weight limits for each restraint option must be observed.

Restraint system overview

- ✓ **Hook-to-hook** strap applied around the top of each pack of narrow coils to prevent toppling.
- ✓ **2 over-the-top** webbing straps for each pack of narrow coils.
- ✓ Each pack of narrow coils blocked against 2 well posts.



- ✓ **2 direct** webbing straps for each pack of narrow coils pulling in rearward direction (see restraint options 2 and 3 for details).
- ✓ **2 direct** webbing straps for each pack of narrow coils pulling in forward direction.

TECHNICAL ADVICE DOCUMENT

Narrow Coil in a well

Restraint option 1

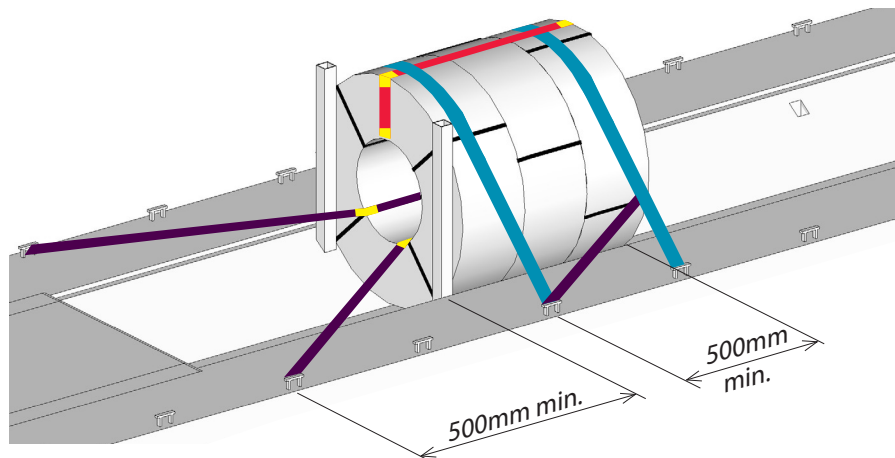


Table 1: Maximum total pack weight

Posts cross section	Maximum weight
80 x 80 x 4 mm	up to 8 t
80 x 80 x 5 mm	up to 10 t
100 x 100 x 4 mm	up to 12.5 t

Restraint option 2

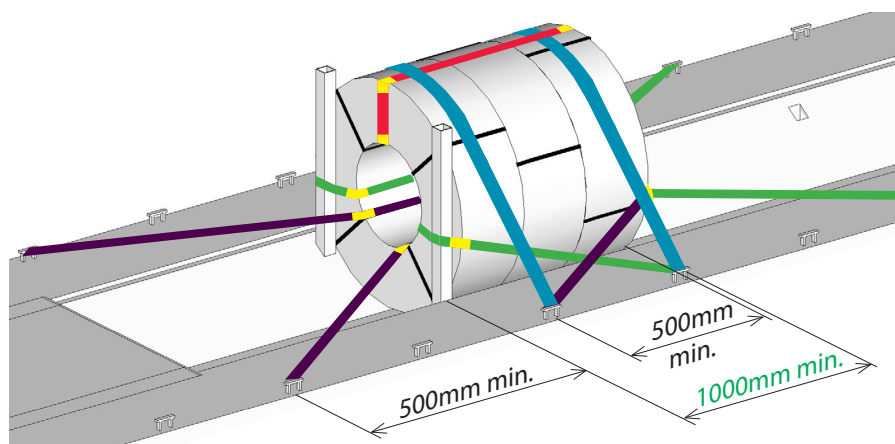


Table 2: Maximum total pack weight

Posts cross section	Maximum weight
80 x 80 x 4 mm	up to 10.5 t
80 x 80 x 5 mm	up to 13 t
100 x 100 x 4 mm	up to 15 t

Restraint option 3

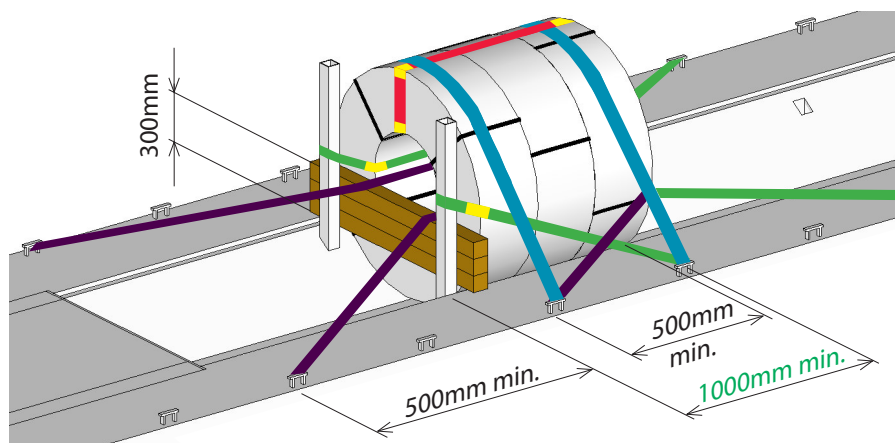


Table 3: Maximum total pack weight

Posts cross section	Maximum weight
80 x 80 x 4 mm	up to 13 t

✓ Blocking height 300 mm

Care has been taken to ensure that the contents of this publication are accurate, but Tata Steel Europe Limited and its subsidiaries do not accept responsibility or liability for errors or information that is found to be misleading.